

Request Form - Roller Conveyor

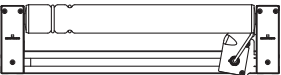
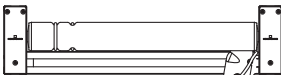
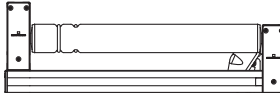
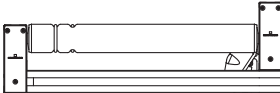
Customer Information

Date:
Company:
Contact person:
Telephone number:
E-Mail address:
Quotation submittal:

Transported Goods

Length [mm]:
Width [mm]: <input type="checkbox"/> 400 <input type="checkbox"/> 600 <input type="checkbox"/> _____
Height [mm]:
Weight [kg]:
Material:
Floor conditions:
Temperature [°C]:
Ambient temperature [°C]:

Roller Conveyor

Number of roller conveyors [pcs]:	
Number of zones [Stk]:	
Inner width [mm] = Material width + 10	
Frame width [mm] = Inner width + 80	
<input type="checkbox"/> Straight design Length [mm] = Material length · Number of zones	<input type="checkbox"/> Curved design Curve angle: <input type="checkbox"/> 45° <input type="checkbox"/> 90° <input type="checkbox"/> 135° <input type="checkbox"/> 180°
<input type="checkbox"/> Without side guides <input type="checkbox"/> With side guides	<input type="checkbox"/> Side guide left <input type="checkbox"/> Side guide right
 	 
Power supply 400V: <input type="checkbox"/> Yes <input type="checkbox"/> No Cable length [m]: _____	

Control Protocol and Logic

Speed [m/min]: _____
<input type="checkbox"/> Pre-installed ZPA (not possible with EtherCAT) <input type="checkbox"/> No
<input type="checkbox"/> Modbus/TCP <input type="checkbox"/> EtherNet/IP <input type="checkbox"/> No
<input type="checkbox"/> Profinet IO <input type="checkbox"/> EtherCAT
Start sensor: <input type="checkbox"/> Yes <input type="checkbox"/> No
Transfer at end (ext. signal): <input type="checkbox"/> Yes <input type="checkbox"/> No

Request Form - Roller Conveyor

Support Frame

Yes (assembled)

Yes (supplied loose)

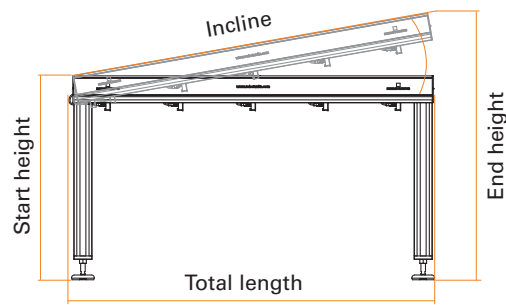
No

Start height [mm]: _____

End height [mm]: _____

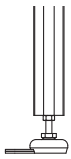
Total length [mm]: _____

Incline [°]: _____

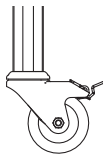


Foot type:

S



H



Information / Sketch